

ALL DIMENSIONS IN MM
UNLESS OTHERWISE STATED

THIS DESIGN IS COPYRIGHT & THE PROPERTY OF COMPONENT DEVELOPMENTS
& MAY NOT BE COPIED IN ANY FORM WITHOUT PRIOR WRITTEN CONSENT.

TOLERANCES $\pm 1.0\text{mm}$ UNLESS
UNLESS OTHERWISE STATED

REMOVE ALL BURRS, SHARP
EDGES AND CORNERS

A4



THIRD ANGLE
PROJECTION

PROJECT

WORKS ORDER No.

NO. OFF REQ'D

GRATING SPECIFICATION:

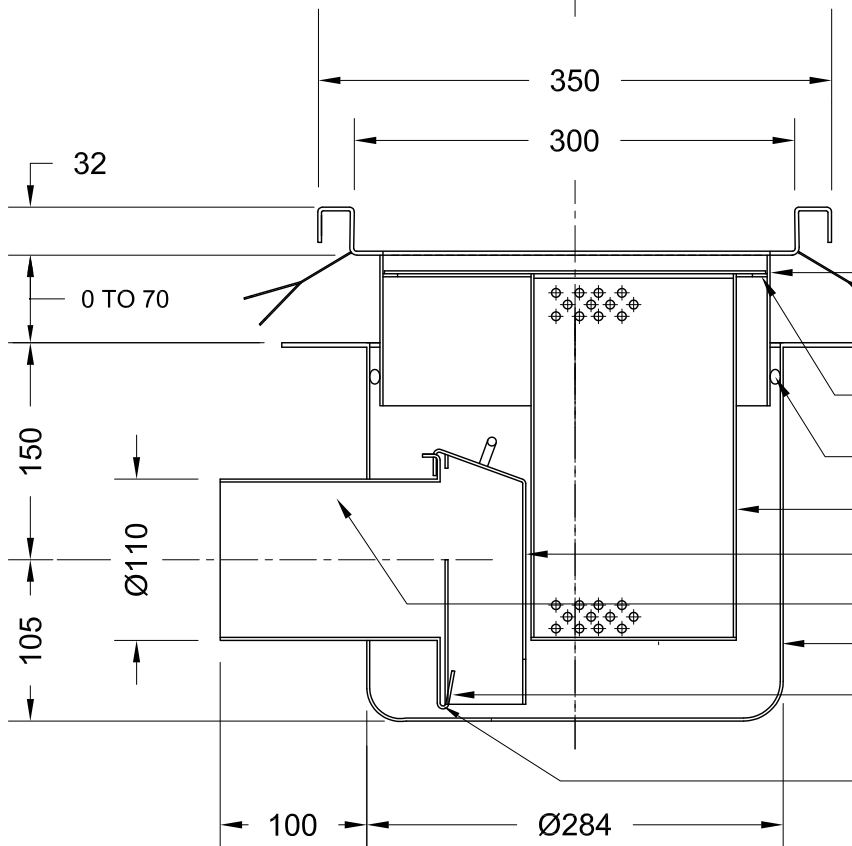
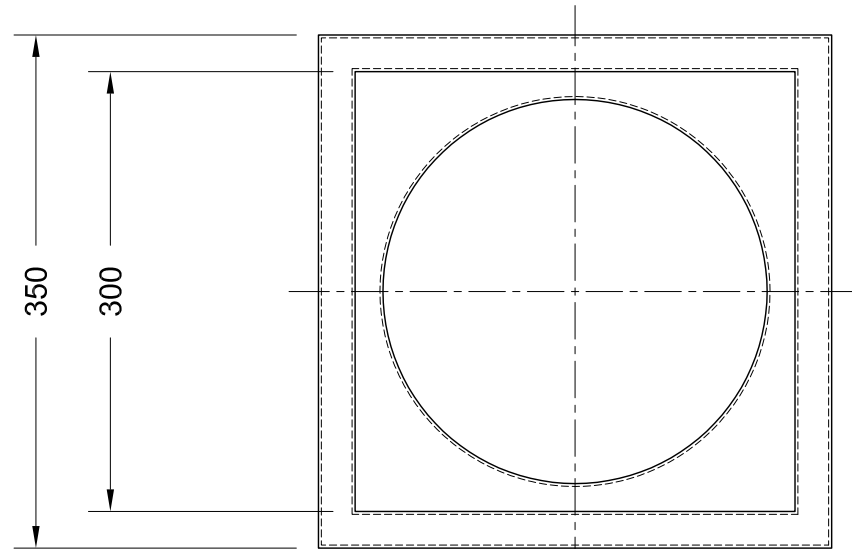
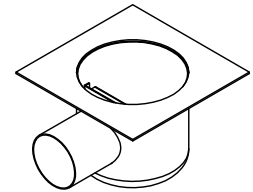
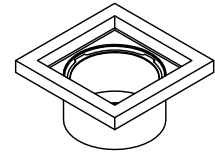
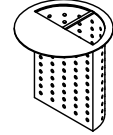
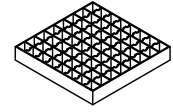
ANTI-SLIP FINISH

299 x 299 x 30mm

23 x 23mm OPEN MESH

30 x 2mm LOADBAR

GRADE 304 STAINLESS STEEL.



- SEATING SPIGOT
- GULLY FLANGE
- BASKET SUPPORT RING
- O-RING
- WASTE BASKET
- ODOUR TRAP
- OUTLET SPIGOT
- GULLY BODY
- SPIGOT PLATE
- SIDE OUTLET FACE SEAL

TITLE

5300-110SWG - 6 l/s



**component
developments**

HALESFIELD 10
TELFORD
SHROPSHIRE
TF7 4QP UK
T: 01952 588488
componentdevelopments.com

PRODUCT CODE	5300-110SWG	DRAWING No.	
PRODUCT SERIES	5000	SHEET NUMBER	1 OF 1
MATERIAL	GR304	DRAWN	JR
	BS EN 10088-2 AISI GRADE 1.4301 304 GRADE 1.4404 316	DRAWN	28/07/16
		REV.	A
		SCALE	1:5