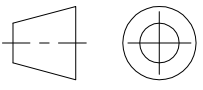


ALL DIMENSIONS IN MM
UNLESS OTHERWISE STATED

THIS DESIGN IS COPYRIGHT & THE PROPERTY OF COMPONENT DEVELOPMENTS
& MAY NOT BE COPIED IN ANY FORM WITHOUT PRIOR WRITTEN CONSENT.

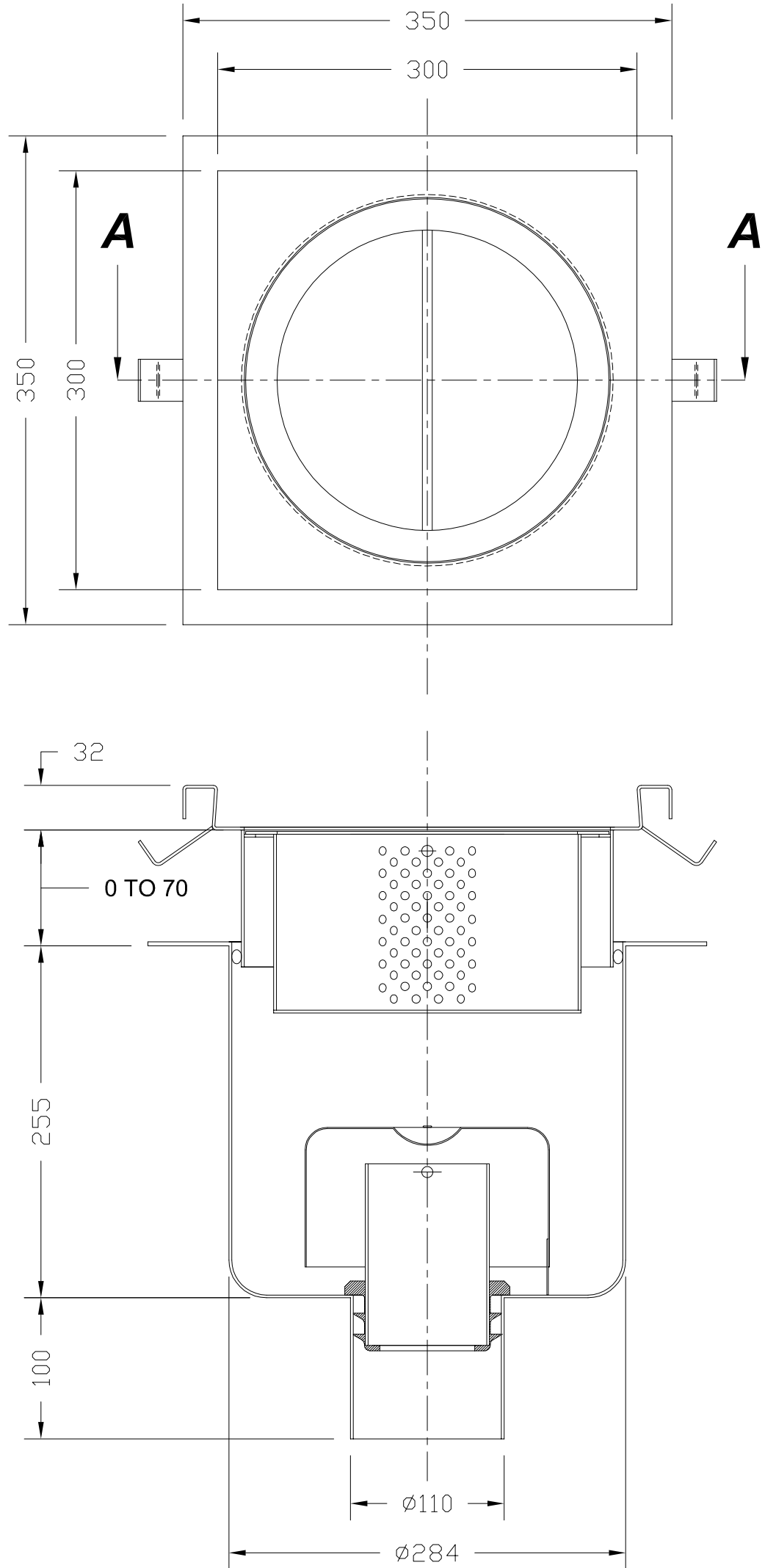
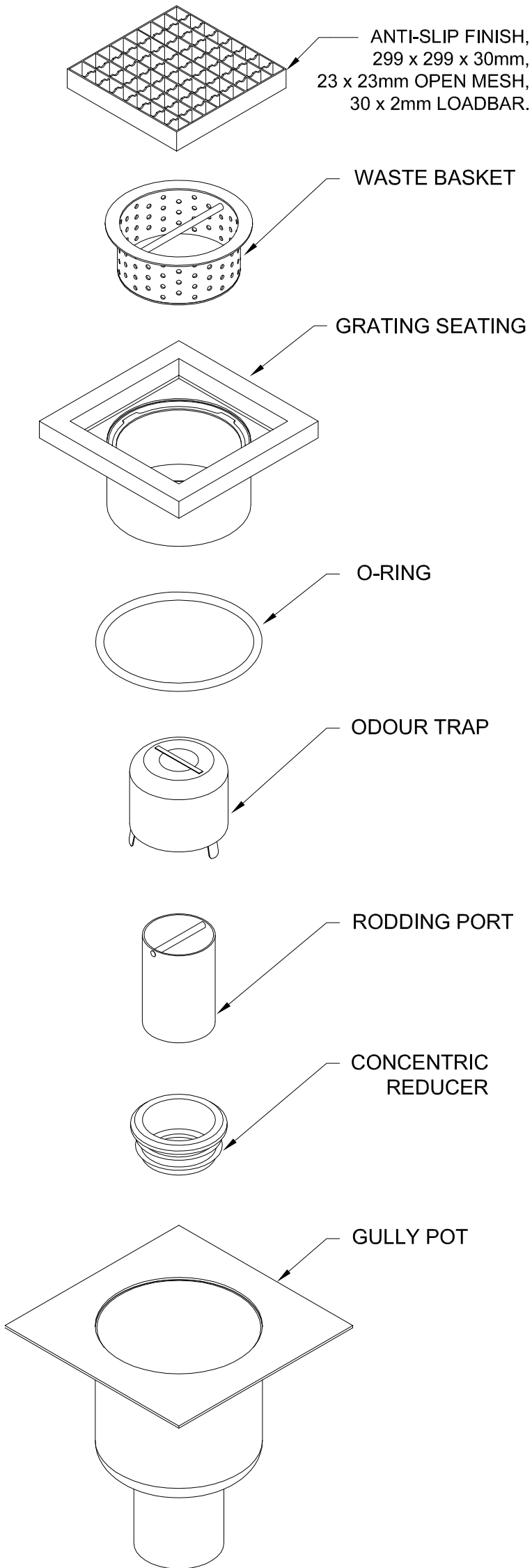
ORDER No.



FIRST ANGLE
PROJECTION

PROJECT

No. OFF REQ'D



SECTION A-A



component developments
HALESFIELD 10 - TELFORD - SHROPSHIRE - TF7 4QP
T: 01952 588488 F: 01952684395

5300-110VWG

SCALE 1:5.5 MATERIAL BS1449 GR304 SHEET OF DATE 24/09/11 DRAWN JR APPROVED REV.

ORDER No.

TOLERANCES UNLESS OTHERWISE STATED

±1