

ALL DIMENSIONS IN MM
UNLESS OTHERWISE STATED

THIS DESIGN IS COPYRIGHT & THE PROPERTY OF COMPONENT DEVELOPMENTS
& MAY NOT BE COPIED IN ANY FORM WITHOUT PRIOR WRITTEN CONSENT.

TOLERANCES $\pm 1.0\text{mm}$ UNLESS
UNLESS OTHERWISE STATED

REMOVE ALL BURRS, SHARP
EDGES AND CORNERS

A4

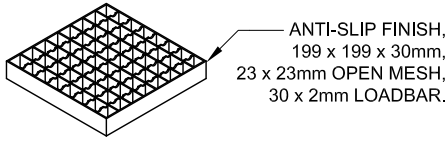


THIRD ANGLE
PROJECTION

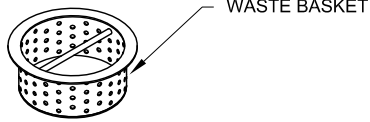
PROJECT

WORKS ORDER No.

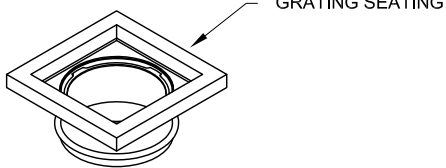
NO. OFF REQ'D



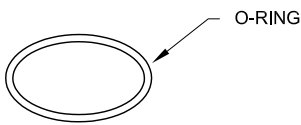
ANTI-SLIP FINISH,
199 x 199 x 30mm,
23 x 23mm OPEN MESH,
30 x 2mm LOADBAR.



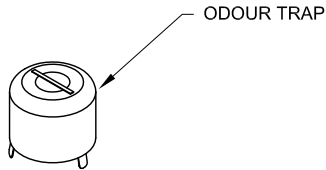
WASTE BASKET



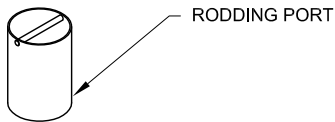
GRATING SEATING



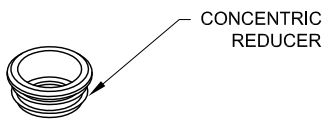
O-RING



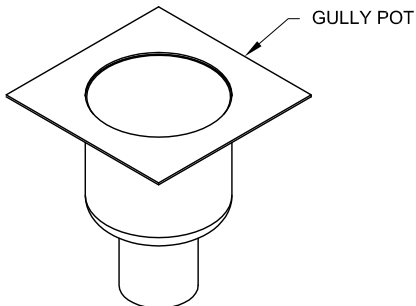
ODOUR TRAP



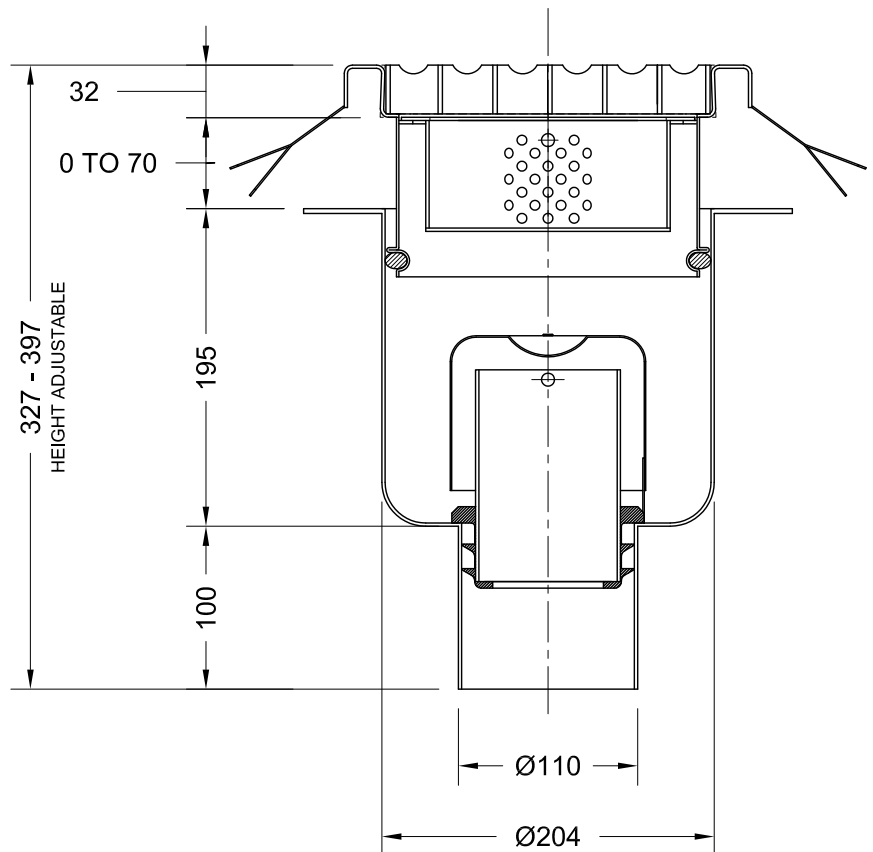
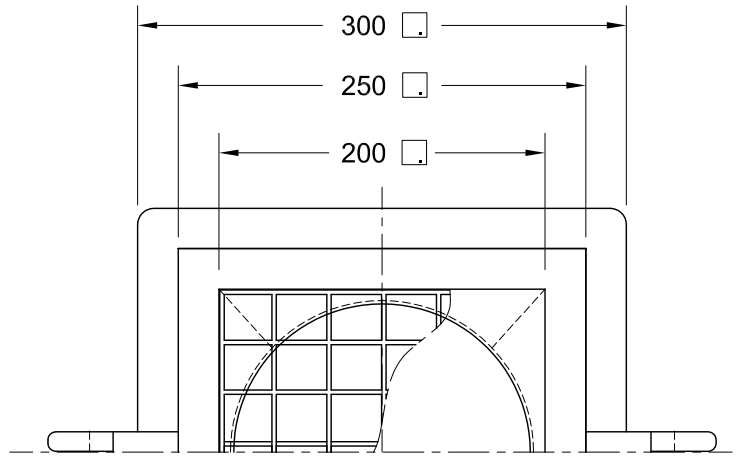
RODDING PORT



CONCENTRIC
REDUCER



GULLY POT



TITLE

5200-110VWG



**component
developments**

HALESFIELD 10
TELFORD
SHROPSHIRE
TF7 4QP UK
T: 01952 588488
componentdevelopments.com

PRODUCT CODE	5200	DRAWING No.	
PRODUCT SERIES	5000	SHEET NUMBER	1 OF 1
MATERIAL	GR304	DRAWN	JR
	BS EN 10088:2 AISI GRADE 1.4301 304 GRADE 1.4404 316	DRAWN	14/03/16
		REV.	A
		SCALE	1:4.5