

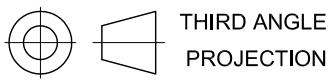
ALL DIMENSIONS IN MM  
UNLESS OTHERWISE STATED

THIS DESIGN IS COPYRIGHT & THE PROPERTY OF COMPONENT DEVELOPMENTS  
& MAY NOT BE COPIED IN ANY FORM WITHOUT PRIOR WRITTEN CONSENT.

TOLERANCES  $\pm 1.0\text{mm}$  UNLESS  
UNLESS OTHERWISE STATED

REMOVE ALL BURRS, SHARP  
EDGES AND CORNERS

**A4**

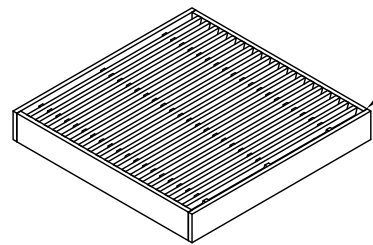


THIRD ANGLE  
PROJECTION

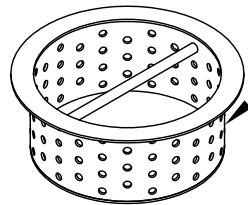
PROJECT

WORKS ORDER No.

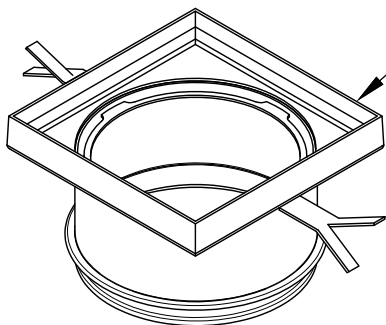
NO. OFF REQ'D



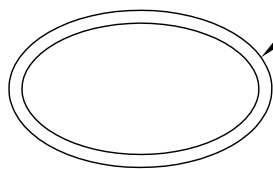
HEELSAFE GRATING  
145 x 145 x 20mm  
47 x 5mm OPEN MESH  
12 x 3mm LOADBAR



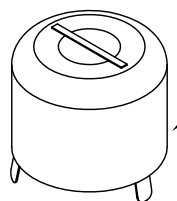
WASTE BASKET



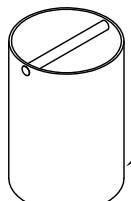
DUTCH-BENT  
GRATING SEATING



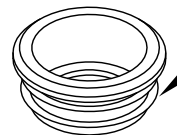
Ø12 NEOPRENE  
O-RING



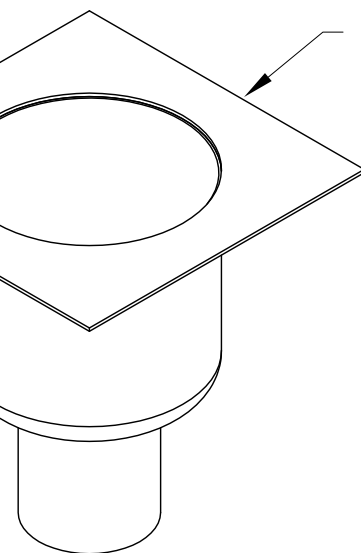
ODOUR TRAP



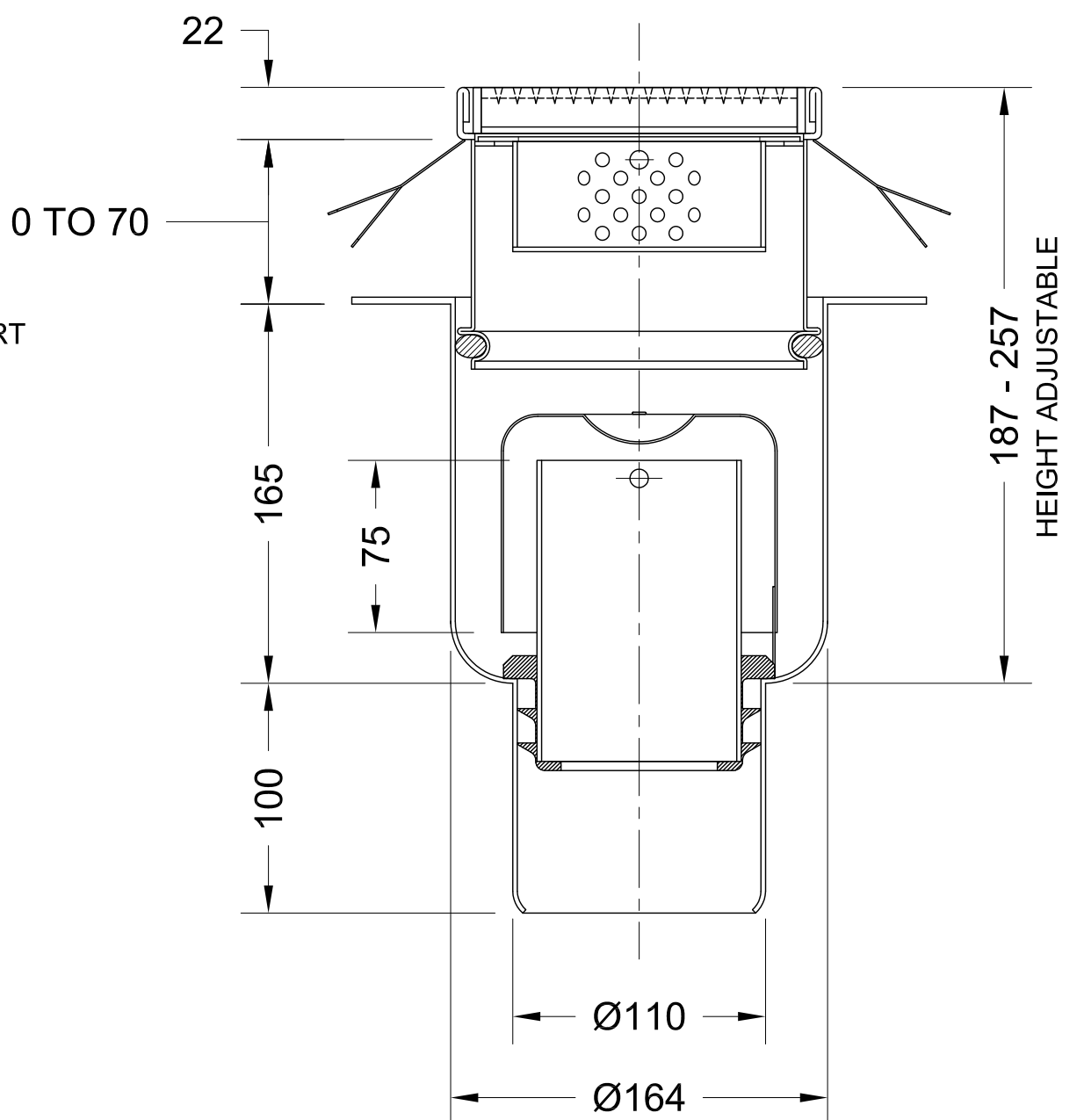
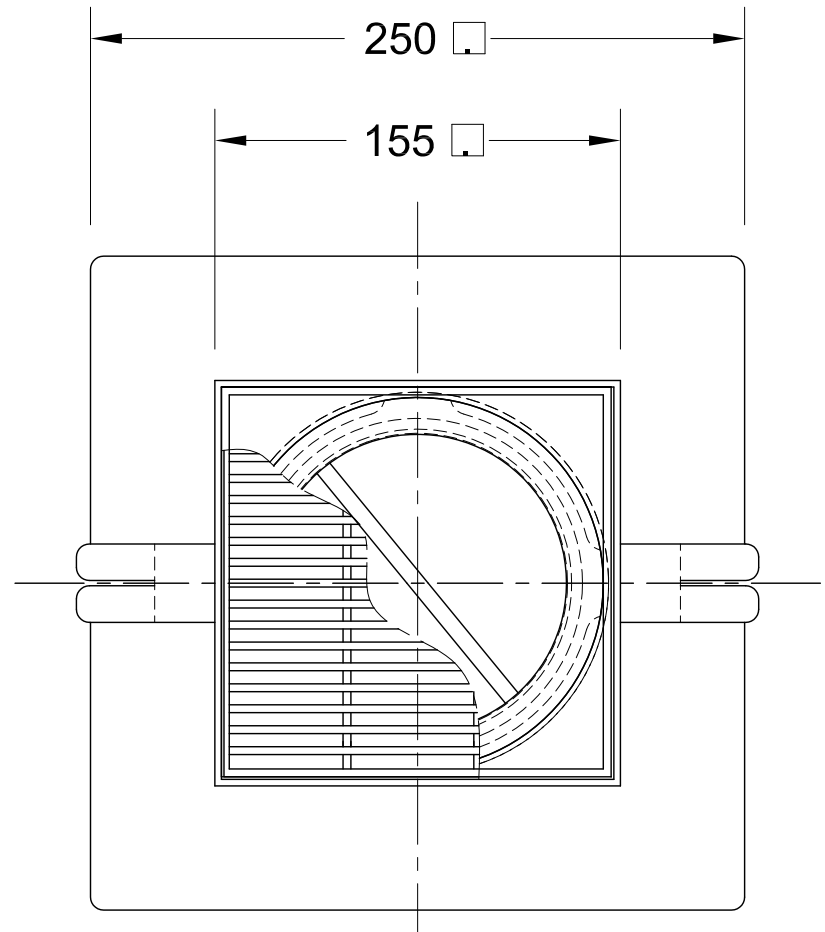
RODDING PORT



NITRILE  
REDUCER



GULLY POT



TITLE

5150-110VWG



**component  
developments**

HALESFIELD 10  
TELFORD  
SHROPSHIRE  
TF7 4QP UK  
T: 01952 588488  
componentdevelopments.com

PRODUCT CODE	5150-110VWG	DRAWING No.	
PRODUCT SERIES	5000	SHEET NUMBER	1 OF 1
MATERIAL	GR304	DRAWN	JR
	BS EN 10088:2   AISI GRADE 1.4301   304 GRADE 1.4404   316	DRAWN	31/05/16
		SCALE	1:4
		REV.	A